

TEKTELIC COMMUNICATIONS INC.

Document type: **User Guide**

Document number: **T0005281_UG**

Document version: **1.6**

Document Status: **Approved**

Product name: **Kona Micro Gateway**

Product codes: **See Table 1**

TEKTELIC Communications Inc.
7657 10th Street NE
Calgary, AB, Canada T2E 8X2
Phone: (403) 338-6900

© 2022 TEKTELIC Communications Inc., All rights reserved.

All products, names and services are trademarks and registered trademarks of their respective companies.

TEKTELIC reserves the right to revise this publication in accordance with formal change control procedures defined by TEKTELIC.

Revision History

Version	Date	Status	Editor	Comments
0.1	Feb 7, 2018	Obsolete	H. Agus	First release
0.11	Feb. 14, 2018	Obsolete	T. Danshin	Reduced content to that required specifically for regulatory filings
0.20	Feb. 15, 2018	Obsolete	S. Morrison	Numerous updates from review.
0.12	Feb. 23, 2018	Obsolete	T. Danshin	Updated MPE information in compliance section. Removed references to GPS functionality
0.13	Feb. 23, 2018	Obsolete	T. Danshin	Updated Antenna information in compliance section
0.14	March 1, 2018	Obsolete	Z. Herasyimiuk	Updated Compliance section
1.0	Jun. 22, 2018	Obsolete	S. Morrison	Clarified that battery back-up is an option for all models, added battery installation section
1.1	Jun. 11, 2019	Obsolete	S. Morrison	Added models T0006271 & T0006342
1.2	Dec. 9, 2019	Obsolete	Z. Herasyimiuk	Added Proposition 65 Statements
1.3	July 21, 2021	Obsolete	T. Danshin	Removed obsolete codes from Tables 1 and 4
1.4	Dec. 23, 2021	Obsolete	T. Danshin	Updated document number to reflect new FCCID required for software defined radio (SDR) filing. References to FCCID within the document have also been updated.
1.5	December 29, 2021	Approved	T. Danshin	Confidentiality markings removed for version submitted to FCC and ISED
1.6	March 19, 2025		M. Yuzefovych	Added UART port info

Table of Contents

1. Product Description	4
1.1. Overview	4
1.2. Physical Interfaces.....	5
1.3. Specifications.....	5
2. Installation	7
2.1. Overview	7
2.2. Unpacking and Inspection	7
2.3. Kona Micro Gateway Mounting	7
2.4. DC Power Cable Installation	9
2.5. Battery Installation	9
2.6. RF Cable Installation	10
2.7. Copper Ethernet Cable Installation	11
2.8. UART Port	11
2.9. Proposition 65 Statement	11
3. Radio Compliance Statements	12
4. Description du produit.....	13
4.1. Aperçu	13
4.2. Interfaces physiques	14
4.3. Spécifications.....	15
5. Installation	16
5.1. Précautions de sécurité.....	16
5.2. Déballage et inspection.....	16
5.3. Kona Micro Gateway Montage	17
5.4. Installation directe du câble d'alimentation CC.....	18
5.5. Battery Installation.....	18
5.6. Installation du câble RF	19
5.7. Installation du câble Ethernet en cuivre	19
5.8. Port UART	19
6. Déclarations de conformité radio.....	21

1. Product Description

1.1. Overview

The Kona Micro Gateway is a LoRaWAN IoT gateway that supports the full range of LoRa WAN channels. The Gateway supports one external LoRa antenna, copper Ethernet backhaul, and optional 3G/4G wireless backhaul. All Gateway models are powering from an AC-DC power adapter and may optionally have an internal backup battery provisioned.

Table 1 presents the currently available Kona Micro Gateway models. Any model may have a backup battery provisioned.

Table 1: Kona Micro Gateway Models

Model	Modem	Region	Frequency Band
T0004855	✓	North America	915
T0006271	✓	North America	915
T0005204		North America	915
T0006342		North America	915

Figure 1 illustrates the Kona Micro Gateway external form-factor with the front view on the top and rear view on the bottom. All models share the same mechanical form-factor.

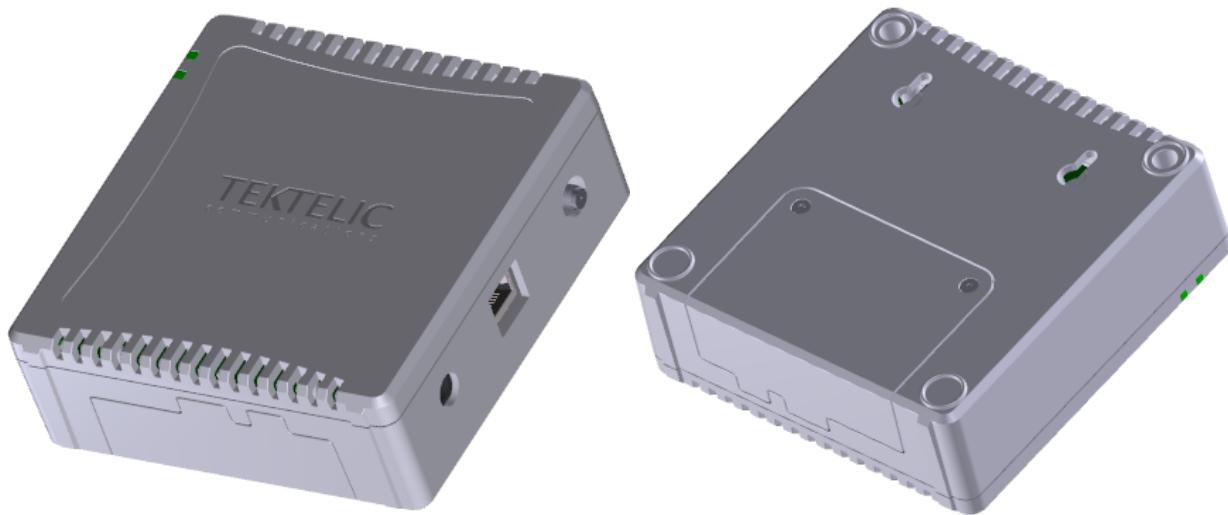


Figure 1: Kona Micro Gateway

1.2. Physical Interfaces

Figure 2 illustrates the connector layout for the Kona Micro Gateway.

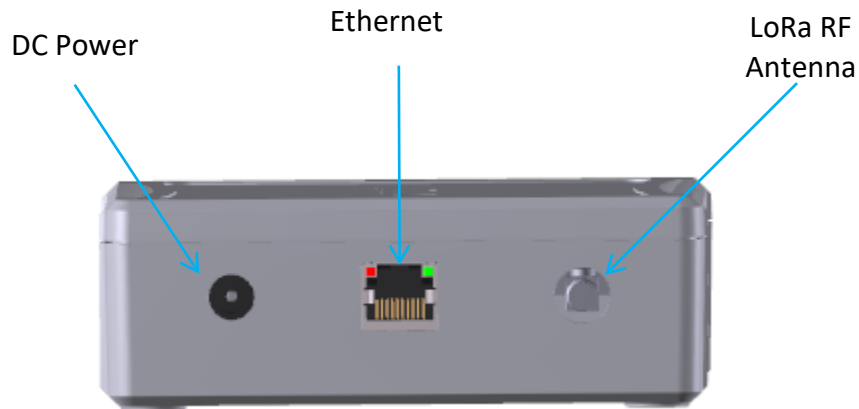



Figure 2: Kona Micro Gateway Bulkhead Layout

The Gateway connectors are listed in Table 2.

Table 2: Kona Micro Gateway Interface Connector Types

Interface	Connector Type	Mating Connector
LoRa Antenna Ports	Reverse SMA female	Industry standard Reverse SMA male
DC Power Input Port	Barrel Jack	DC Barrel plug 2.1 mm (inner), 5.5 mm (outer) Center positive 
Ethernet Port	RJ-45	Industry standard RJ45 plug

1.3. Specifications

The Kona Micro Gateway specifications are listed in Table 3.

Table 3: Kona Micro Gateway Specifications

Attribute	Specification
Dimensions	120 (L) x 118 (W) x 41.5 (H) mm
Weight	336 g (0.74 lbs) with battery, 245 g (0.54 lbs) without battery

Attribute	Specification
Operating Temperature	0°C to 40°C without battery 0°C to 38°C with battery
Relative Humidity	5 to 95 %RH
Operating Altitude	-60 m to 4,000 m (-197 ft to 13,123 ft)
Power Input	12 VDC +/-10%
Power Consumption	12 W DC maximum
Battery	7.4 V Lithium Ion
UART port ¹	Micro-B USB receptacle
Ingress Protection	use only
Regulatory Compliance	IEC 62368-1, EN 62368-1, CE FCC Pt. 15, RSS-247, EN 301 489-1

¹ UART port is for debug use only, as directed by TEKTELIC support personnel.
Kona Micro User Guide
TEKTELIC Communications Inc.

2. Installation

2.1. Overview

- The Kona Micro Gateway is intended for indoor use only.
- The Kona Micro Gateway has no internal field serviceable parts other than the battery. Other than installing or replacing the battery, the Gateway module must only be opened by an approved TEKTELIC service center.
- All installation practices must be in accordance with the local and national electrical codes.
- Ensure that the Kona Micro Gateway is located to eliminate any physical hazard to people or property.
- The Kona Micro Gateway shall be powered from the supplied AC-DC power adaptor.
- Do not cover the Gateway or in any way obstruct airflow through the enclosure openings.
- The Kona Micro Gateway may as an option contain a built-in battery. The Gateway may continue to operate after the DC power connection is removed. To completely power down the Gateway when optional battery backup is present, both the DC power source and the battery must be disconnected.
- If the battery needs replacement, use only a replacement battery provided by Tektelic Communications Inc. After battery installation, ensure that the battery cover is secured using the supplied battery cover securement screws. Dispose of old batteries in accordance with regulatory requirements.

2.2. Unpacking and Inspection

The following should be considered during the unpacking of a new Kona Micro Gateway.

1. Inspect the shipping carton and report any significant damage to TEKTELIC.
2. Unpacking should be conducted in a clean and dry location when possible.
3. Do not discard the shipping box or foam inserts as they will be required if a unit is returned for repair or re-configuration.

2.3. Kona Micro Gateway Mounting

Kona Micro Gateway can be placed on a flat surface or can be mounted to a wall with M3 screws to locations on the back of the module illustrated in Figure 3.

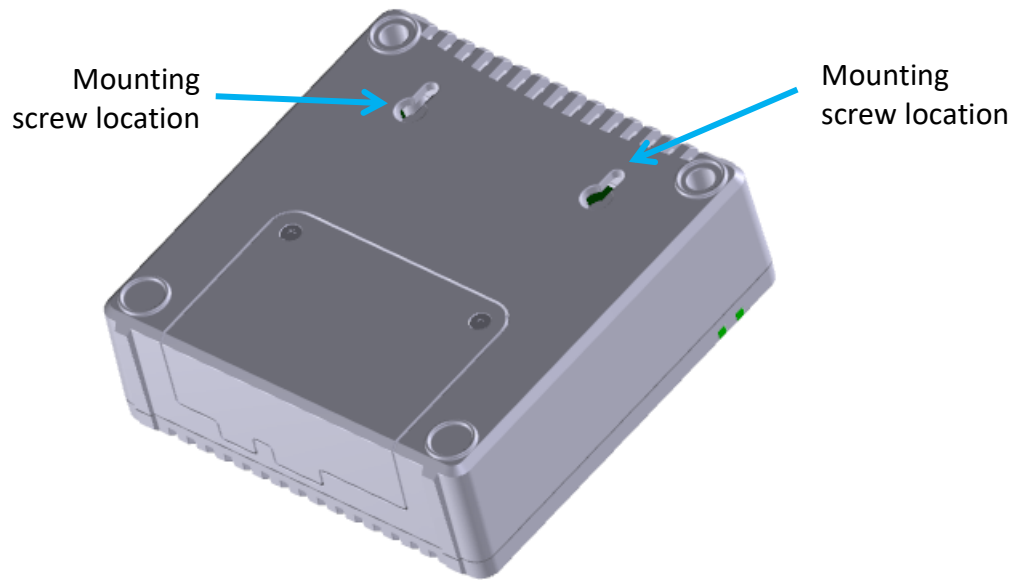


Figure 3: Kona Micro Gateway Mounting Screw Locations

While wall mounted, the Gateway module must be oriented with the TEKTELIC logo horizontal, parallel to the earth as shown in Figure 4.



Figure 4: Kona Micro Gateway Module Wall Mounting Orientation

Ensure that the wall on which the Gateway is being mounted is secure, flat and able to support a load of at least 0.5 kg (1.1 lbs).

The Kona Micro Gateway wall mounting procedure is as follows:

1. Install the M3 screws into the wall.
2. Install 2 site supplied M3 screws into the wall at 60 mm (2.4") center spacing, leaving the screw heads protruding with a 3 mm gap from the wall surface.
3. Hang the Kona Micro Gateway by mounting the two to keyhole slots onto the screws.

2.4. DC Power Cable Installation

The Kona Micro Gateway is powered from the supplied AC-DC power adaptor. The adaptor provides 12 VDC with positive inner tip as shown below in Figure 5. The connector tip is a standard DC Barrel connector-straight plug with 2.1 mm (inner), 5.5 mm (outer) diameters.



Figure 5: DC Power Connection Polarity

2.5. Battery Installation

Use only a battery provided by Tektelic Communications Inc. Dispose of old batteries in accordance with regulatory requirements. Remove the battery cover by removing the two Torx-drive battery cover securement screws. Connect the 3-pin battery connector to the connector at the bottom of the battery compartment and then insert the battery into the battery compartment as illustrated in Figure 6. After the battery is connected and inserted, reinstall the battery cover and secure it in place using the two battery cover securement screws.

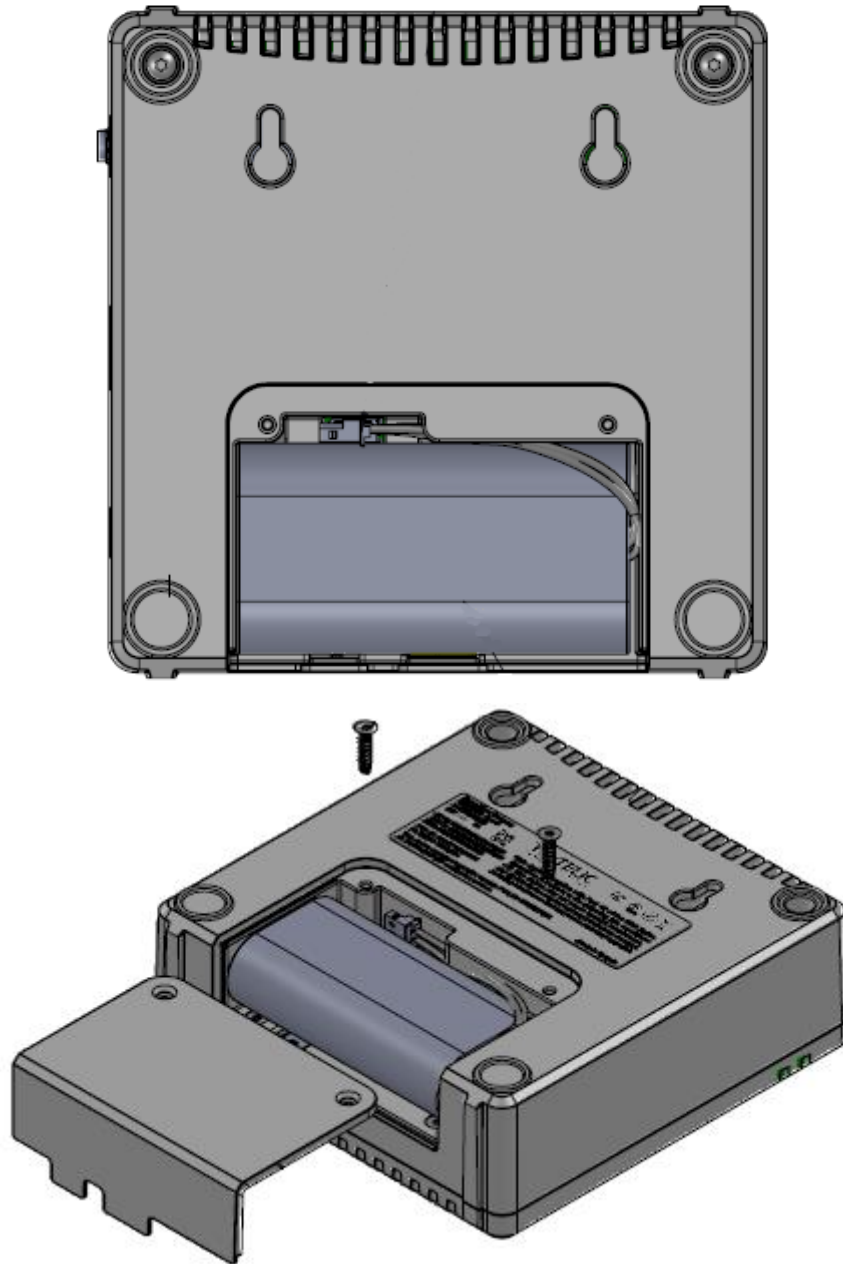


Figure 6: Battery Installation

2.6. RF Cable Installation

The Kona Micro Gateway installation requires connection to a LoRa RF antenna. The antenna attaches to the reverse SMA connector located on the side of the Gateway. Torque the connector to 5 in-lbs. The Kona Micro is not protected from lightning surge as it is intended for Indoor use. Do not connect to an outdoor antenna.

Note that the 3G/4G modem antenna is internal to the Kona Micro Gateway.

2.7. Copper Ethernet Cable Installation

The Kona Micro Gateway Ethernet port may be used on a temporary basis for commissioning and maintenance or may be permanently connected for backhaul.

The Ethernet cable must have minimum 24 AWG conductors and shall be rated for indoor application according to local and national electrical codes.

2.8. UART Port

The KONA Micro Gateway is equipped with a UART port for factory use only, or when directed by TEKTELIC support personnel to facilitate debugging. The UART port is accessible by the removal of the battery cover.

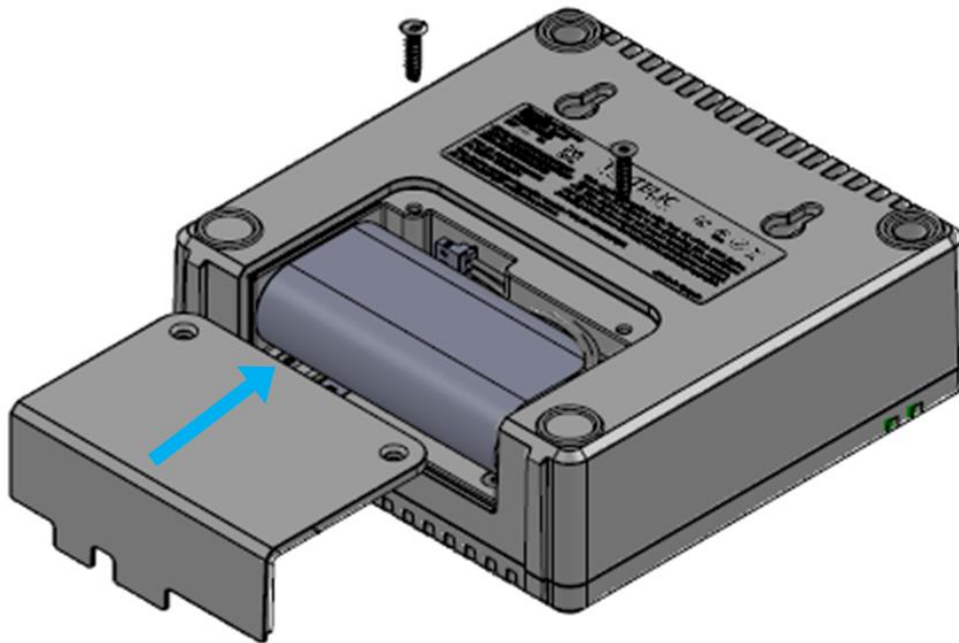


Figure 7: UART port

2.9. Proposition 65 Statement

⚠ WARNING: This product can expose you to chemicals including lead, beryllium, cobalt oxide, nickel oxide, carbon black and lithium nickelate & nickel, which is known to the State of California to cause cancer, birth defects or other reproductive harm. For more information, go to www.P65Warnings.ca.gov.

3. Radio Compliance Statements

Federal Communications Commission

This device complies with Part 15 of the FCC Rules. Operation is subject to the following two conditions:

1. This device may not cause harmful interference, and
2. This device must accept any interference received, including interference that may cause undesired operation.

Changes or modifications not expressly approved by the party responsible for compliance could void the user's authority to operate the equipment.

This equipment has been tested and found to comply with the limits for a Class B digital device, pursuant to Part 15 of the FCC Rules. These limits are designed to provide reasonable protection against harmful interference in a residential installation. This equipment generates uses and can radiate radio frequency energy and, if not installed and used in accordance with the instructions, may cause harmful interference to radio communications. However, there is no guarantee that interference will not occur in a particular installation. If this equipment does cause harmful interference to radio or television reception, which can be determined by turning the equipment off and on, the user is encouraged to try to correct the interference by one of the following measures:

- Reorient or relocate the receiving antenna.
- Increase the separation between the equipment and receiver.
- Connect the equipment into an outlet on a circuit different from that to which the receiver is connected.
- Consult the dealer or an experienced radio/TV technician for help.

To comply with FCC/IC RF exposure limits for general population / uncontrolled exposure, the antennas used for this transmitter must be installed to provide a separation distance of at least 20 cm from all persons and must not be co-located or operating in conjunction with any other antenna or transmitter.

Industry Canada

This Device complies with Industry Canada License-exempt RSS standard(s). Operation is subject to the following two conditions:

1. This device may not cause interference, and
2. This device must accept any interference, including interference that may cause undesired operation of the device.

This radio transmitter 22504-T0005281 has been approved by Industry Canada to operate with the antenna listed below with the maximum permissible gain or lesser and required antenna impedance for the antenna indicated. Antenna types not included in this list, having a gain greater than the maximum gain indicated for that type, are strictly prohibited for use with this device.

This device complies with IC radiation exposure limits set forth for an uncontrolled environment. This device should be installed and operated with minimum distance 0.2 m between the radiator and your body.

This device has been designed to operate with an omni-directional antenna having a maximum gain of 0.4 dBi in the 902-928MHz transmit band. Antennas having a gain greater than 0.4 dBi are strictly prohibited for use with this device. The required antenna impedance is 50 ohms.

During product operation, always keep a separation distance of at least 0.2m from any connected antenna(s). Before servicing the product, the antenna(s) or cables, turn off the transmission function or the unit power if you have to get closer than the minimum separation distance.

4. Description du produit

4.1. Aperçu

Le Kona micro Gateway est une passerelle intérieure LoRaWAN ITO qui prend en charge la gamme complète des canaux de Lora WAN. La passerelle prend en charge une antenne Lora externe, un câble Ethernet en cuivre et une connexion sans fil 3G/4G en option. Tous les modèles Gateway sont alimentés à partir d'un adaptateur secteur AC-DC et peuvent éventuellement avoir une batterie de secours interne provisionnée.

Tableau 4 présente les modèles Kona Micro Gateway actuellement disponibles. Tout modèle peut avoir une batterie de secours provisionnée.

Table 4: Modèles de Kona Micro

Modèle	Modem	Batterie	Région
T0004855 T0006271	✓	North America	915
T0005204 T0006342		North America	915
T0005203 T0005127	✓	Europe 863-870	863-870
T0005206		Europe 863-870	863-870
T0005208	✓	Brunei, Cambodia, Indonesia, Laos	923-925
T0005210		Brunei, Cambodia, Indonesia, Laos	923-925
T0005212	✓	Japan	920-928
T0005214		Japan	920-928
T0005205 T0005216	✓	New Zealand	915-928
T0005218		New Zealand	915-928
T0005221	✓	Singapore, Thailand, Vietnam	920-925
T0005223		Singapore, Thailand, Vietnam	920-925
T0005225	✓	Taiwan	922-928
T0005227		Taiwan	922-928
T0005229	✓	China	470
T0005231		China	470
T0005233	✓	Australia	915-928
T0005235		Australia	915-928
T0005236 T0005237	✓	Australia (Tern)	915-933
T0005238 T0005239		Australia (Tern)	915-933

La figure 7 illustre le facteur de forme externe Kona Micro Gateway avec la vue de face en haut et la vue arrière en bas. Tous les modèles partagent le même facteur de forme mécanique.



Figure 7: Passerelle intérieure Kona Micro

4.2. Interfaces physiques

Figure 8 illustre la disposition de la cloison de la Kona Micro Gateway.

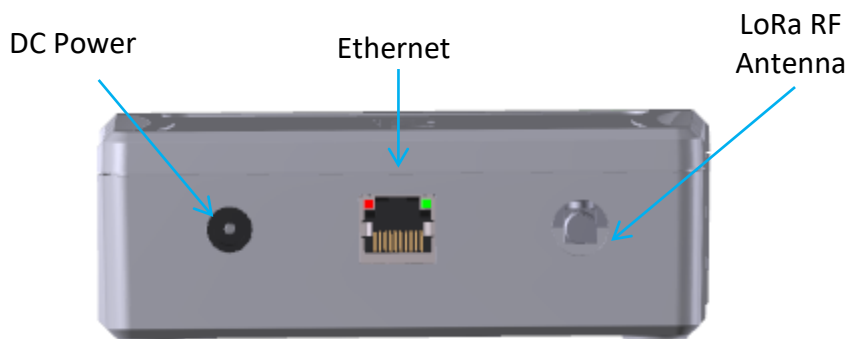



Figure 8: Kona Micro Gateway Mise en page de cloison

Les connecteurs de la passerelle intérieure sont répertoriés dans Table 5.

Table 5: Kona Micro Gateway Types de connecteurs d'interface

Interface	Type de connecteur	Connecteur compatible
Ports d'antenne LoRa	Reverse SMA femelle	SMA inversé standard de l'industrie

Port d'entrée d'alimentation CC	Connecteur Barrel	Connecteur DC Barrel 2,1 mm (intérieur), 5,5 mm (extérieur) Centre positif 
Ethernet Port	RJ-45	Industry standard RJ45 cable

4.3. Spécifications

Les spécifications de Kona Micro Gateway sont répertoriées dans Table 6.

Table 6: Kona Micro Gateway Spécifications

Attribute	Spécifications
Dimensions	120 (L) x 118 (W) x 41.5 (H) mm
Poids	336 g (0.74 lbs) avec batterie, 245 g (0.54 lbs) sans batterie
Température de fonctionnement	0°C to 40°C sans batterie 0°C to 38°C avec batterie
Humidité relative	5 to 95 %RH
Altitude de fonctionnement	-60 m to 4,000 m (-197 ft to 13,123 ft)
Entrée de puissance	12 VDC +/-10%
Consommation d'énergie	12 W maximum
Batterie	7.4 V Lithium Ion
Port UART ²	Micro-B USB
Protection contre la pénétration	Usage intérieur seulement
Conformité réglementaire	IEC 62368-1, EN 62368-1, CE FCC Pt. 15, RSS-247, EN 301 489-1

² Le port UART est réservé à des fins de débogage uniquement, selon les instructions du personnel de support de TEKTELIC.

5. Installation

5.1. Précautions de sécurité

- La passerelle intérieure Kona Micro est conçue pour une utilisation en intérieur uniquement.
- La passerelle interne Kona Micro ne comporte aucune pièce interne réparable sur place autre que la batterie. En dehors de l'installation ou du remplacement de la batterie, le module passerelle ne doit être ouvert que par un centre de service agréé TEKTELIC.
- Toutes les pratiques d'installation doivent être conformes aux codes électriques locaux et nationaux.
- Assurez-vous que la Kona Micro Gateway est située de façon à éliminer tout risque physique pour les personnes ou les biens.
- La passerelle interne Kona Micro doit être alimentée par l'adaptateur secteur CA-CC fourni.
- Ne couvrez pas la passerelle et n'obstruez en aucun cas le flux d'air à travers les ouvertures du boîtier.
- La Kona Micro Gateway peut, en option, contenir une batterie intégrée. La passerelle peut continuer à fonctionner après le retrait de la connexion d'alimentation CC. Pour mettre complètement la passerelle hors tension lorsque la batterie est en option, la source d'alimentation CC et la batterie doivent être déconnectées.
- Si la batterie doit être remplacée, n'utilisez qu'une batterie de rechange fournie par Tektelic Communications Inc. Après l'installation de la batterie, assurez-vous que le couvercle de la batterie est fixé à l'aide des vis de fixation du couvercle de la batterie fournies. Débarrassez-vous des vieilles batteries conformément aux exigences réglementaires.

5.2. Déballage et inspection

Les éléments suivants doivent être pris en compte lors du déballage d'une nouvelle Kona Micro Gateway.

1. Inspectez le carton d'emballage et signalez tout dommage important à TEKTELIC.
2. Le déballage doit être effectué dans un endroit propre et sec lorsque cela est possible.
3. Ne jetez pas la boîte d'expédition ou les inserts en mousse car ils seront nécessaires si une unité est retournée pour réparation ou reconfiguration.

5.3. Kona Micro Gateway Montage

Kona Micro Gateway peut être placé sur une surface plane ou peut être fixé à un mur avec des vis M3 à l'arrière du module illustré à la Figure 9.

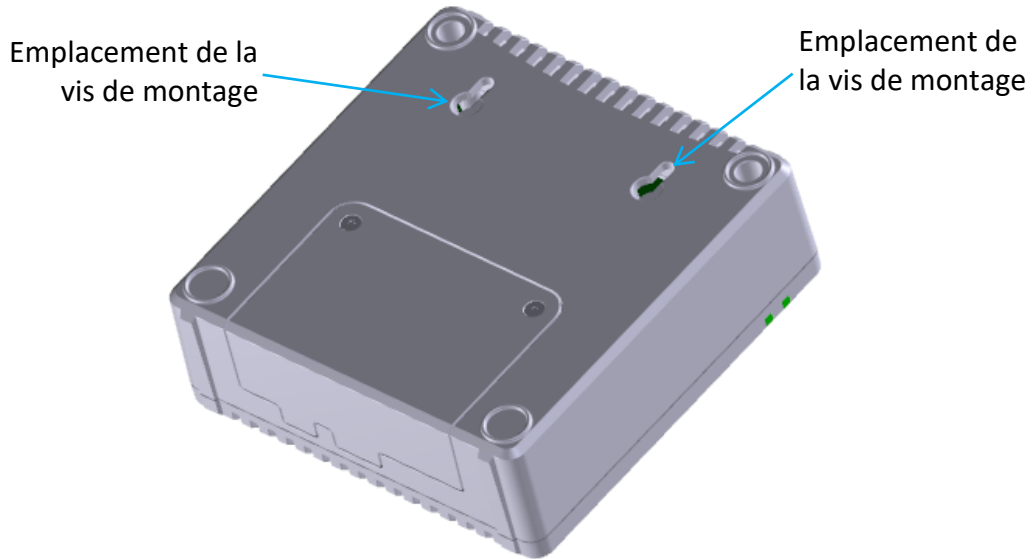


Figure 9: Emplacements des vis de montage Kona Micro Gateway

Lorsqu'il est fixé au mur, le module Gateway doit être orienté avec le logo TEKTELIC horizontalement, parallèlement à la terre comme indiqué dans figure 9.



Figure 10: Kona Micro Gateway Orientation de montage mural

Assurez-vous que le mur sur lequel la passerelle est montée est bien fixé, plat et capable de supporter une charge d'au moins 0,5 kg (1,1 lb).

La procédure de montage mural Kona Micro Gateway est la suivante:

1. Installez les vis M3 dans le mur
2. Installez 2 vis M3 fournies dans le mur à un espacement central de 60 mm (2,4 "), en laissant les têtes de vis dépasser d'un espace de 3 mm de la surface de la paroi.
3. Accrochez la Kona Micro Gateway en montant les deux fentes en trou de serrure sur les vis.

5.4. Installation directe du câble d'alimentation CC

La Kona Micro Gateway est alimentée par l'adaptateur secteur AC-DC fourni. L'adaptateur fournit 12 VDC avec embout interne positif comme indiqué ci-dessous dans Figure 10. L'embout du connecteur est un connecteur DC Barrel standard-fiche droite avec 2,1 mm (intérieur), 5,5 mm (extérieur) diamètres.



Figure 11: Polarité directe du connecteur d'alimentation CC

5.5. Battery Installation

Utilisez uniquement une batterie fournie par Tektelic Communications Inc. Éliminez les batteries usagées conformément aux exigences réglementaires. Retirez le couvercle de la batterie en retirant les deux vis de fixation du couvercle de la batterie du lecteur Torx. Branchez le connecteur de la batterie à 3 broches au connecteur situé au bas du compartiment de la batterie, puis insérez la batterie dans le compartiment de la batterie comme illustré à la Figure 12. Une fois la batterie branchée et insérée, réinstallez le couvercle et les deux vis de fixation du couvercle de la batterie.

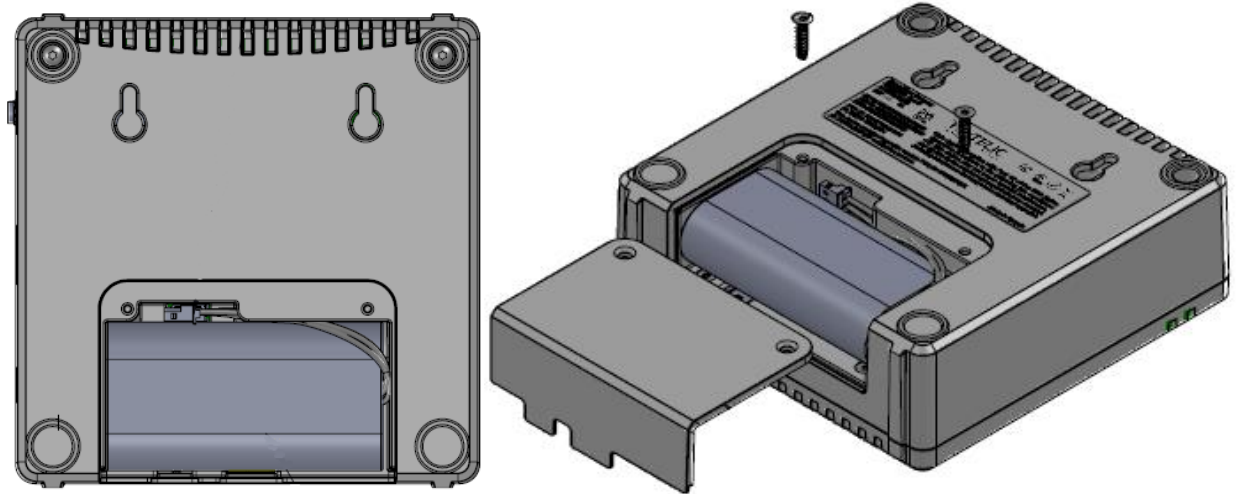


Figure 12: Battery Installation

5.6. Installation du câble RF

Le Kona micro Gateway installation nécessite une connexion à une antenne Lora RF. L'antenne s'attache au connecteur SMA inversé situé sur le côté de la passerelle. Serrez le connecteur à 5 in · lbs. Le Kona micro n'est pas protégé contre les surtensions d'éclairage car il est destiné à une utilisation à l'intérieur. Ne pas raccorder à une antenne extérieure.

Notez que l'antenne du modem 3G / 4G est interne à la Kona Micro Gateway.

5.7. Installation du câble Ethernet en cuivre

Le port Ethernet Kona Micro Gateway peut être utilisé temporairement pour la mise en service et la maintenance ou peut être connecté en permanence pour le backhaul.

Le câble Ethernet doit avoir un minimum de 24 conducteurs AWG et doit être classé pour une utilisation en intérieur conformément aux codes électriques locaux et nationaux.

5.8. Port UART

Le KONA Micro Gateway est équipé d'un port UART réservé à un usage en usine uniquement, ou lorsqu'il est demandé par le personnel de support de TEKTELIC pour faciliter le débogage. Le port UART est accessible en retirant le couvercle de la batterie.

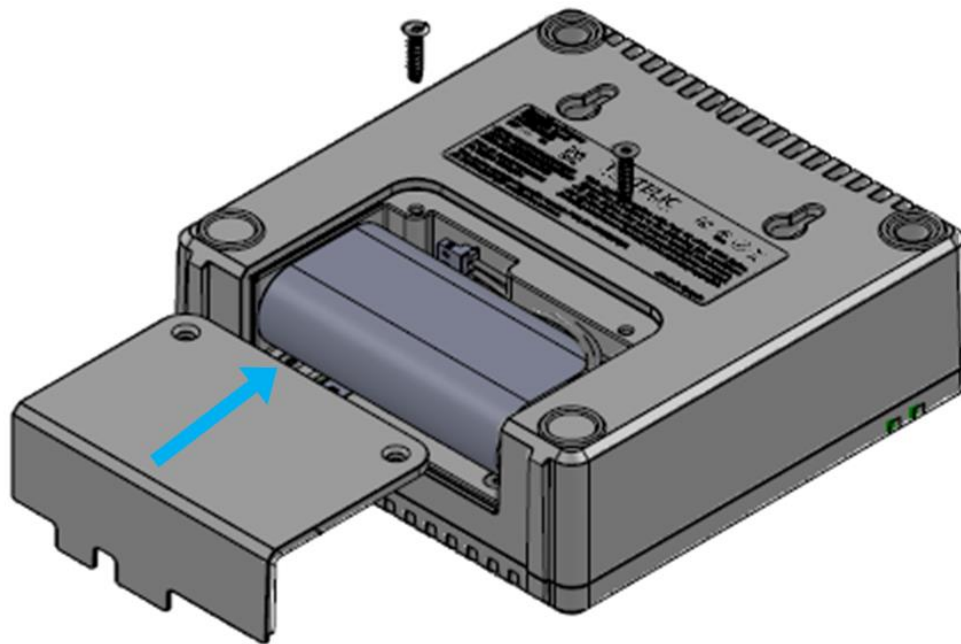


Figure 13: Port UART

6. Déclarations de conformité radio

Industrie Canada

Cet appareil est conforme aux normes RSS exemptes de licence d'Industrie Canada. Le fonctionnement est soumis aux deux conditions suivantes:

1. Cet appareil ne peut pas causer d'interférences, et
2. Cet appareil doit accepter toute interférence, y compris les interférences susceptibles de provoquer un fonctionnement indésirable de l'appareil.

Cet émetteur radio 22504-T0005281 a été approuvé par Industrie Canada pour fonctionner avec l'antenne énumérée ci-dessous avec le gain maximal admissible ou l'impédance d'antenne moindre et requise pour l'antenne indiquée. Les types d'antennes non inclus dans cette liste, ayant un gain supérieur au gain maximal indiqué pour ce type, sont strictement interdits pour une utilisation avec cet appareil.

Cet appareil est conforme aux limites d'exposition aux radiations IC définies pour un environnement non contrôlé. Cet appareil doit être installé et utilisé avec une distance minimale de 0.2 m entre le radiateur et votre corps.

Cet appareil a été conçu pour fonctionner avec une antenne omnidirectionnelle ayant un gain maximal de 0,4 dBi dans la bande d'émission 902-928MHz. Les antennes ayant un gain supérieur à 0,4 dBi sont strictement interdites pour une utilisation avec cet appareil. L'impédance d'antenne requise est de 50 ohms.

Pendant le fonctionnement du produit, gardez toujours une distance de séparation d'au moins 0,2 m de toute antenne connectée. Avant d'entretenir le produit, l'antenne ou les câbles, éteignez la fonction de transmission ou l'alimentation de l'unité si vous devez vous rapprocher de la distance de séparation minimale.