

KONA MEGA GATEWAY

Quick Start Guide

Powering Up the Gateway

What's in the Box:



KONA Mega Gateway



KONA Mounting Kit



RJ45 cable jacket



DC Power Connector



LTE Antenna

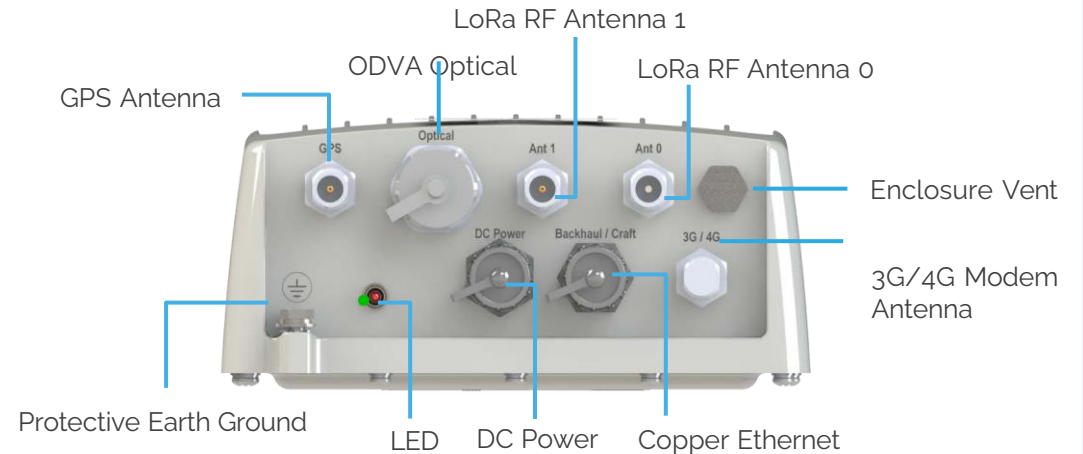


Safety Ground Cable



GPS Antenna

Mega Gateway supports up to two external LoRa antennas, a GPS antenna, copper and optional¹ optical Ethernet backhaul, and optional 3G/4G wireless backhaul and is powered using Direct DC input power or Power over Ethernet (PoE++).



¹Note that there are many different models of the Kona Mega gateway, and your gateway's physical interfaces may appear different than depicted above

Note:

¹ Optical backhaul is optional, whereas copper Ethernet backhaul is standard

- To install the Gateway you also need POE Injector, External LoRa Antennas and Ethernet Cable that are sold separately
- Refer to [Antenna Selection Guide](#) for information on antenna use cases and recommendations
- Refer to [User Guide](#) for more information on deployment, installation and regulatory considerations

Configuration & Activation



Commissioning the Gateway Using LeapX Application

To install LeapX Application on your Smart Device, please search for "TEKTELIC LeapX" on the Google Play Store or the Apple App Store. Once the app is installed, you can create an account or log in using the username and password of your existing TEKTELIC account. Then follow the in-app instructions online.



Managing the Gateway Using Kona Link

Web Interface for TEKTELIC Gateway Management [Kona Link](#)

Note: once the Gateway shows "Online" you are ready to add sensors to your network.

Gateway Port Information

KONA Mega Gateway Ports

Available Ports	What to Connect (refer to antenna deployment guide for more details)
Antenna 0 and Antenna 1 ports	External LoRa Antennas connected using 50 OHM RF cable
GPS Antenna port	Active GPS Antenna using 50 OHM cable (Gateway provides 5V DC nominal supporting maximum 50 mA current draw)
3G/4G Antenna port	External 3G/4G Antenna, connected using 50 OHM RF cable
DC Power Port	Connect to 48VDC power source that provides at least 1A or greater current. Alternatively, the Gateway can be powered by PoE ++.

++ PoE Standard: IEEE 802.3bt Class 6

If you have questions about Power options please refer to [Powering Guide](#)

If you have questions about using this Gateway please refer to the knowledge base at knowledgehub.tektelic.com

Gateway Troubleshooting

KONA Mega LED States

LED State	Functional Description	Action Required
No LED	No power to gateway.	Apply power to gateway. If the condition persists, contact customer support.
Solid Green	Gateway is operational with a packet forwarder running. LoRaWAN packet transmission and reception functions are operating normally.	No action required: Gateway is in stable state.
Flashing Green	Module is initializing. No downlink packets have been transmitted by the gateway in the last 10 minutes. GPS unlocked for more than 24 hours.	Typical boot time is <2 minutes, but may take up to 15 in case of software upgrade. If after 15 minutes LED still flashing green, power up a sensor near gateway to initiate a Join Request. LED will transition to solid green when it transmits Network Server's Join Accept message. If the Gateway has been powered up for over 24 hours and normal LoRaWAN traffic is present, check GPS antenna connection and make sure it has a clear view of the sky.
Solid Red	Unit is in fault condition and requires service	Undesired state. Power cycle the gateway. If the condition persists, contact customer support.

If you have questions about using this Gateway please refer to the knowledge base at knowledgehub.tektelic.com